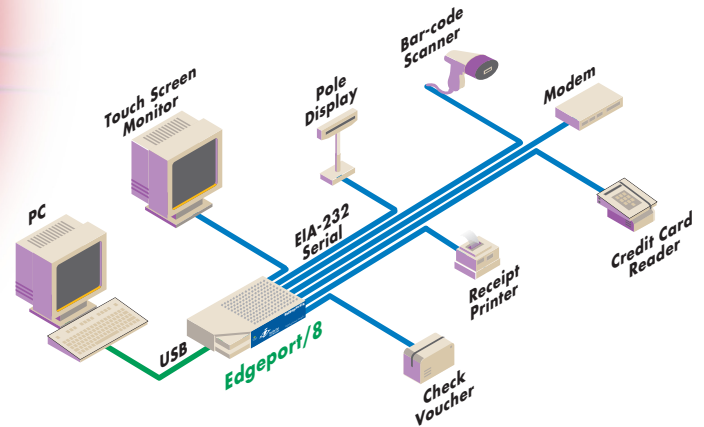


Edgeport®

USB-to-Serial Converters

Edgeport offers an easy out-of-the-box solution for I/O expansion and is available in a wide variety of configurations for maximum flexibility and scalability.



Features/Benefits

- > Add one, two, four, eight, 12 or 16 serial ports to a PC, thin client or server in minutes
- > Unmatched operating system support includes Windows NT 4.0, CE, 2000, XP and more
- > Multi-interface, software selectable MEI, USB PowerPlus, industrial, compact and metal versions
- > Lower total cost of ownership with external, user-installable solution
- > Ideal for point-of-sale, mobile computing, industrial automation, medical and more

Overview

Edgeport USB-to-serial converters offer instant I/O expansion for peripheral device connectivity. An out-of-the-box (external) alternative to PCI cards, Edgeport makes it easy to add serial, USB or parallel ports to a PC, server or thin client in minutes – without opening the chassis, reconfiguring or rebooting the system. EdgeUSB technology, shipping with Edgeport since 1998, adds Plug-and-Play USB compatibility to Windows® NT and Windows NT Embedded systems – an industry first.

Edgeport is available in multiple configurations for maximum flexibility and scalability. Choose from compact form factors for space-prohibitive applications; single port “bump-in-the-cable” solutions for notebook expansion; software-selectable MEI (EIA-232/422/485 multi-electrical interface) versions to connect any type of serial device to one box; metal enclosures for rugged applications; and DB-9, DB-25 or RJ-45 connectors to meet cabling requirements. Accessories include Edgeport/E USB Ethernet adapter, rack mount kits, PCI to USB 1.1 card and USB cables.

Feature-rich design, reliability and unmatched operating system support make Edgeport USB-to-serial converters ideal for any mission-critical enterprise application. Integrators and end users around the globe rely on Edgeport for peripheral device connectivity in retail stations, self check-out systems, emergency vehicles, kiosks, ATMs and more.

Inside Out Networks, a Digi International company, is the leader in enterprise USB connectivity. Digi International, the leader in Connectware, makes device networking easy by developing products and technologies that are cost-effective and easy to use. With over 20 million ports shipped worldwide, Digi has been offering the highest levels of performance, flexibility, and quality since 1985.



www.ionetworks.com



Connectware™



Making
DEVICE NETWORKING
easy™

FEATURES

- USB 1.0 and 1.1 compatible; backwards compatibility for 2.0
- USB-IF certified
- Plug-and-Play
- Baud rate: to 230Kbps per serial port simultaneously
- Automatic port reacquisition
- COM port assignments maintained across reboots
- Full hardware and software flow control
- Tri-state LED displays device status and COM port activity
- No additional IRQ or memory address requirements
- Low power consumption
- Rack mountable
- Hot-swappable
- One-meter USB cable included (unless otherwise specified)
- Bulk packaging and customized cabling options
- Multiple versions available for maximum flexibility and scalability

Edgeport Serial

- One, two, four, eight, 12 or 16 EIA-232 serial ports
- DB-9, DB-25, RJ-45 connectors
- Versions with onboard USB hub (four ports)

Edgeport Compact

- Two versions with DB-9 connectors
 - Two EIA-232 serial ports
 - Two EIA-232 serial, two USB ports
- Captive two-meter cable for secure connection in rugged environments like mobile computing
- Smaller form factor and lower cost per port than standard Edgeport

Edgeport Industrial

- One, two, four or eight serial ports with DB-9 connectors
- EIA-232, -422 and -422/485
- Software selectable EIA-232/422/485 MEI

Edgeport Metal

- Two or four serial ports with DB-9 connectors
- Aluminum chassis
- Designed for rugged environments like emergency vehicles and restaurant kitchens

- Rack mount brackets for added security
- Edgeport Multi-Interface**
- Two versions with DB-9 connectors
 - Two EIA-232 serial; 1 parallel printer port
 - Four USB, two EIA-232 serial, 1 parallel printer port
 - Ideal for workstations or thin clients

Edgeport USB Plus

- Four powered USB, two EIA-232 serial ports with DB-9 connectors
- Connect standard USB, powered USB and legacy serial devices to one box
- Cable locking mechanisms ensure secure connection for peripheral devices
- Part of Digi's USB Plus Series (visit Web site for more information)

Edgeport/E USB Ethernet Adapter

- USB to RJ-45
- Add a PC or laptop to a 10/100 Base-T Ethernet in minutes
- Data transfer rates up to 10Mbps
- Bus-powered

ENVIRONMENTAL

- Ambient temperature: 32° F to 131° F (0° C to 55° C)
- Relative humidity: 0% to 95% (non-condensing)

OPERATING SYSTEMS

- Microsoft® Windows XP and XP Embedded
- Microsoft Windows NT 4.0 and NT Embedded
- Microsoft Windows CE
- Microsoft Windows 2000
- Microsoft Windows Me
- Microsoft Windows 98
- Microsoft Windows SE
- Microsoft Windows 95
- Linux
- Sun Solaris (SPARC)

REGULATORY APPROVALS

- FCC Part 15, Class B
- CE
- EN55022
- EN55024
- EN60950
- UL 1950
- CSA 2.2 No. 950
- IEC-950

POWER REQUIREMENTS

- External power supply not required for versions without USB ports (USB-powered)
- Versions with USB ports (Edgeport/421, 416, 412, 42+) ship with plug-mounted power supply: 120/230VAC 60/50Hz at 5Vdc @3Amps max

Edgeport/E, 1, 1i,

- Length: 3.15 in (8.0 cm)
- Width: 1.75 in (4.4 cm)
- Height: 0.80 in (2.03 cm)
- Weight: 1.6 oz (45.36 g)



Edgeport/2m, 4m

- Length: 4.35 in (11.05cm)
- Width: 7.2 in (18.29 cm)
- Height: 1.03 in (2.61 cm)
- Weight: 10.0 oz (311.0 g)



Edgeport/2c, 22c

- Length: 2.38 in (6.04 cm)
- Width: 4.94 in (12.55 cm)
- Height: 1.0 in (2.54 cm)
- Weight: 5.0 oz (141.75 g)



Edgeport/412, 412/DB-25, 416, 416/DB-25, 8/DB-25

- Length: 5.0* in (12.7cm)
- Width: 17.0** in (43.118 cm)
- Height: 1.8 in (4.53 cm)
- Weight: 41.3 oz (1170.84 g)

*8.63 in (21.92 cm) with optional mounted power supply tray

** 19.0 in (48.26 cm) with optional rack mount ears



Edgeport/4/DB-25, 42+, 8, 8i

- Length: 4.35 in (11.05 cm)
- Width: 7.2 in (18.29 cm)
- Height: 1.75 in (4.45 cm)
- Weight: 16.0 oz (453.59 g)



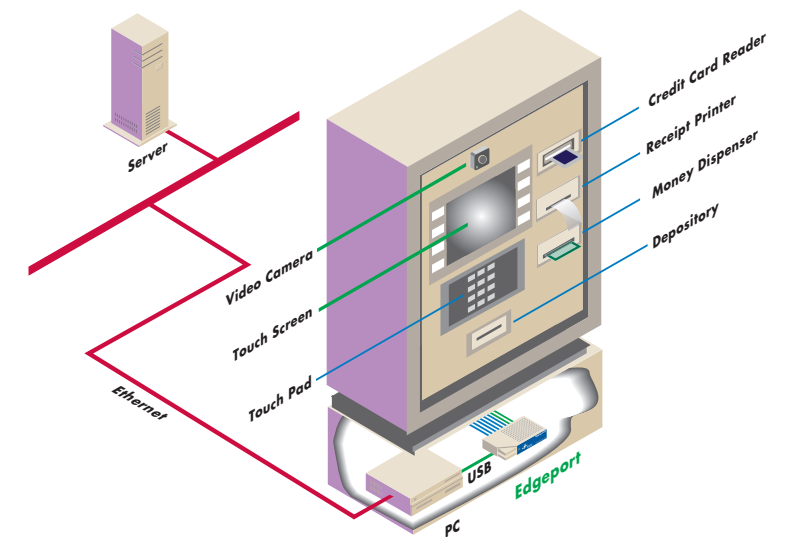
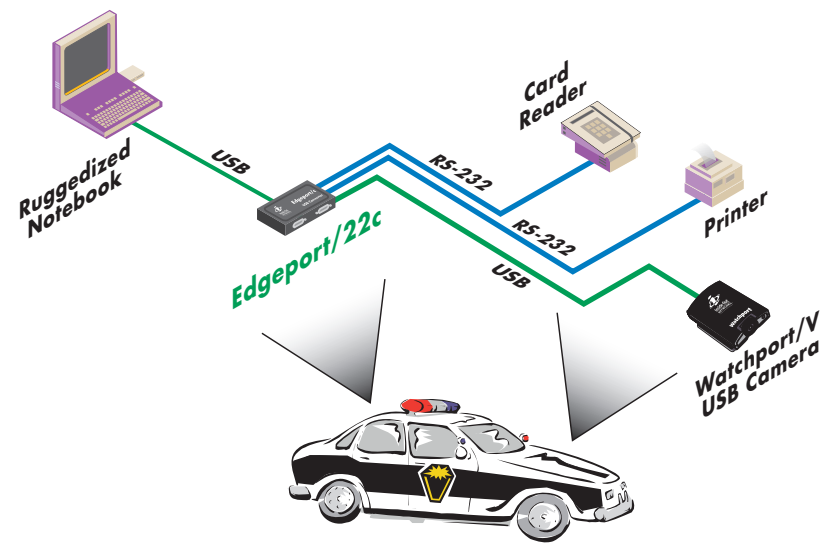
Edgeport/2, 2i, 2+2i, 21, 4, 4i, 4s MEI, 421, 8r

- Length: 4.35 in (11.05 cm)
- Width: 7.2 in (18.29 cm)
- Height: 1.03 in (2.61 cm)
- Weight: 10.0 oz (311.0 g)



Applications

- Retail/Point-of-Sale
- Mobile computing
- Medical
- Financial
- Hospitality
- Industrial Automation



Features/Specifications

MODEL.....PART NUMBERS

Model	North America	International
Edgeport Serial		
Edgeport/1 (1 serial DB-9)	301-1001-11	301-1001-11
Edgeport/1 25-Unit Bulk Pack (25 ea. 301-1001-11)	301-1001-21	301-1001-21
Edgeport/1 100-Bulk Pack (100 ea. 301-1001-11)	301-1001-22	301-1001-22
Edgeport/1 Captive Cable (1 serial DB-9, attached 2m USB cable)	301-1001-15	301-1001-15
Edgeport/2 (2 serial DB-9)	301-1000-02	301-1000-02
Edgeport/4 (4 serial DB-9)	301-1000-04	301-1000-04
Edgeport/4/DB-25 (4 serial DB-25)	301-1016-01	301-1016-01
Edgeport/412 (4 USB, 12 serial DB-9)	301-1004-12	301-2004-12
Edgeport/412/DB-25 (4 USB, 12 serial DB-25)	301-1016-12	301-2016-12
Edgeport/416 (4 USB, 16 serial DB-9)	301-1000-10	301-2000-10
Edgeport/416/DB-25 (4 USB, 16 serial DB-9)	301-1016-16	301-2016-16
Edgeport/8 (8 serial DB-9)	301-1002-08	301-1002-08
Edgeport/8/DB-25 (8 serial DB-25)	301-1016-08	301-1016-08
Edgeport/8r (8 serial RJ-45)	301-1002-14	301-1002-14
Edgeport Compact		
Edgeport/2c (2 serial DB-9, captive 2m USB cable)	301-1003-10	301-1003-10
Edgeport/22c (2 serial DB-9, 2 USB, captive 2m USB cable)	301-1003-30	301-1003-30
Edgeport Industrial		
Edgeport/1i (1 EIA-422/485 serial DB-9)	301-1001-31	301-1001-31
Edgeport/2i (2 EIA-422/485 serial DB-9)	301-1000-12	301-1000-12
Edgeport/2+2i (2 EIA-232 serial, 2 EIA-422 serial DB-9)	301-1022-04	301-1022-04
Edgeport/4i (4 EIA-422 serial DB-9)	301-1000-24	301-1000-24
Edgeport/8i (8 EIA-422 serial DB-9)	301-1000-28	301-1000-28
Edgeport/4s MEI (4 EIA-232/422/485 software selectable)	301-1000-94	301-1000-94
Edgeport Metal		
Edgeport/2m (2 serial DB-9, metal chassis)	301-1000-80	301-1000-80
Edgeport/4m (4 serial DB-9, metal chassis)	301-1000-81	301-1000-81
Edgeport Multi-Interface		
Edgeport/21 (2 serial DB-9, 1 parallel)	301-1000-21	301-1000-21
Edgeport/421 (4 USB, 2 serial DB-9, 1 parallel)	301-1004-21	301-2004-21
Edgeport USB Plus		
Edgeport/42+ (4 powered USB, 2 serial DB-9)	301-1001-42	301-2001-42
Accessories		
Edgeport/E (USB Ethernet adapter)	301-1050-01	301-1050-01
USB 1.1 Upgrade Kit (PCI to USB 1.1 card)	301-1101-01	301-1101-01
1-Meter USB Cable (A to B USB cable, 3.3 ft)	301-9000-01	301-9000-01
2-Meter USB Cable (A to B USB cable, 6.6 ft)	301-9000-07	301-9000-07
3-Meter USB Cable (A to B USB cable, 9.8 ft)	301-9000-06	301-9000-06
4-Meter USB Cable (A to B USB cable, 13 ft)	301-9000-10	301-9000-10
5-Meter USB Cable (A to B USB cable, 16.4 ft)	301-9000-02	301-9000-02
USB Repeater/Extender Cable A to A extender, 16.4 ft)	301-9002-01	301-9002-01
USB to Parallel Printer Cable (1.8 m, 6 ft)	301-9006-01	301-9006-01
Rack Mount Kit (19" shelf)	301-9001-01	301-9001-01
Small Shelf Mount Bracket (mounts Edgeport/4-sized boxes to wall or shelf)	301-9003-01	301-9003-01
Large Shelf Mount Bracket (mounts Edgeport/8-sized boxes to wall or shelf)	301-9004-01	301-9004-01

Serial ports are EIA-232 unless otherwise specified.

Bulk packs include one copy of software and documentation with limited use reproduction license.



DIGI SERVICE AND SUPPORT

You can purchase with confidence knowing that Digi is here to support you with expert technical support and a strong five-year warranty. <http://support.digi.com>

Digi International

11001 Bren Road E.
 Minnetonka, MN 55343 USA
 PH: 877-912-3444
 952-912-3444
 FX: 952-912-4952
 Email: info@digi.com
www.digi.com

Digi International GmbH

Joseph-von-Fraunhofer Str. 23
 D-44227 Dortmund
 Germany
 PH: +49-231-9747-0
 FX: +49-231-9747-111
www.digi.de

Digi International (HK) Limited

Suite 1703-05, 17/F.,
 K Wah Centre
 191 Java Road
 North Point, Hong Kong
 PH: +852-2833-1008
 FX: +852-2572-9989
www.digi.cn

Inside Out Networks

7004 Bee Caves Road
 Building 3, Suite 200
 Austin, TX 78746 USA
 PH: 512-306-0600
 FX: 512-306-0694
 Email: info@ionetworks.com
www.ionetworks.com



© 2003 Digi International, Inc.

Digi, Digi International, the Digi logo, the Digi Connectware logo, Inside Out Networks, the Inside Out Networks logo, Edgeport, and Watchport are either trademarks or registered trademarks of Digi International, Inc. in the United States and other countries worldwide. Microsoft, Windows, and the Windows logo are trademarks, or registered trademarks of Microsoft Corporation in the United States and/or other countries. All other trademarks are the property of their respective owners.

91001226
 A1/1103

Connectware™